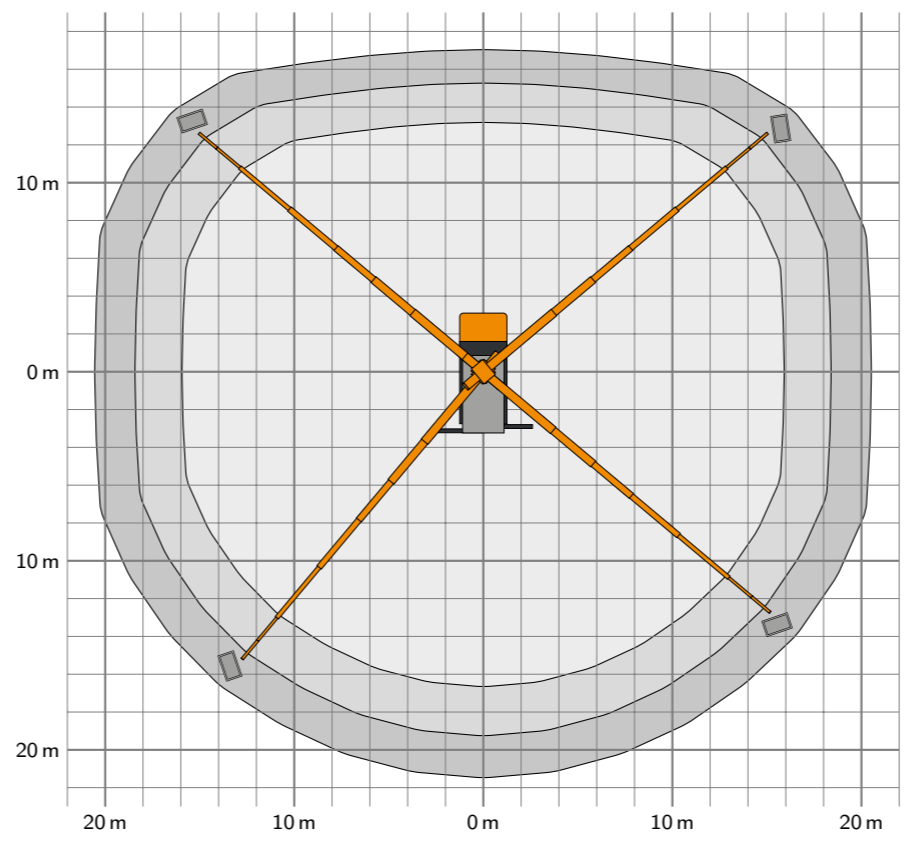
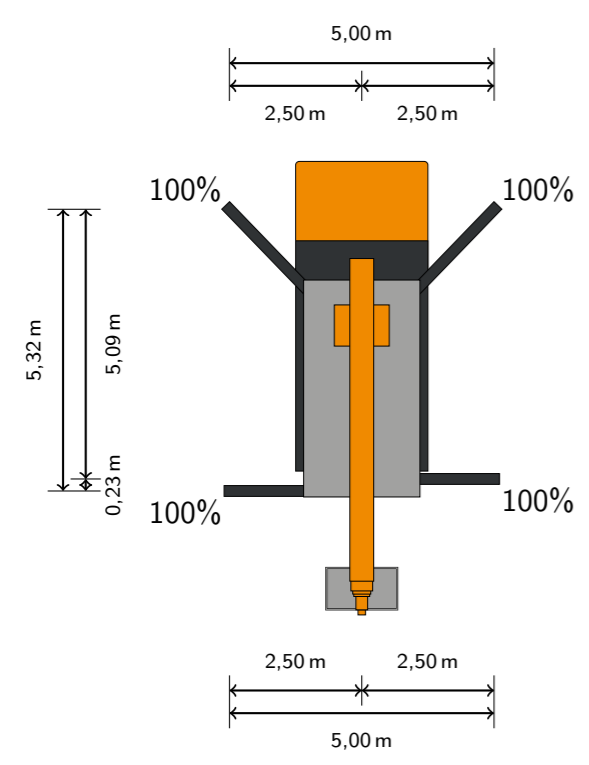
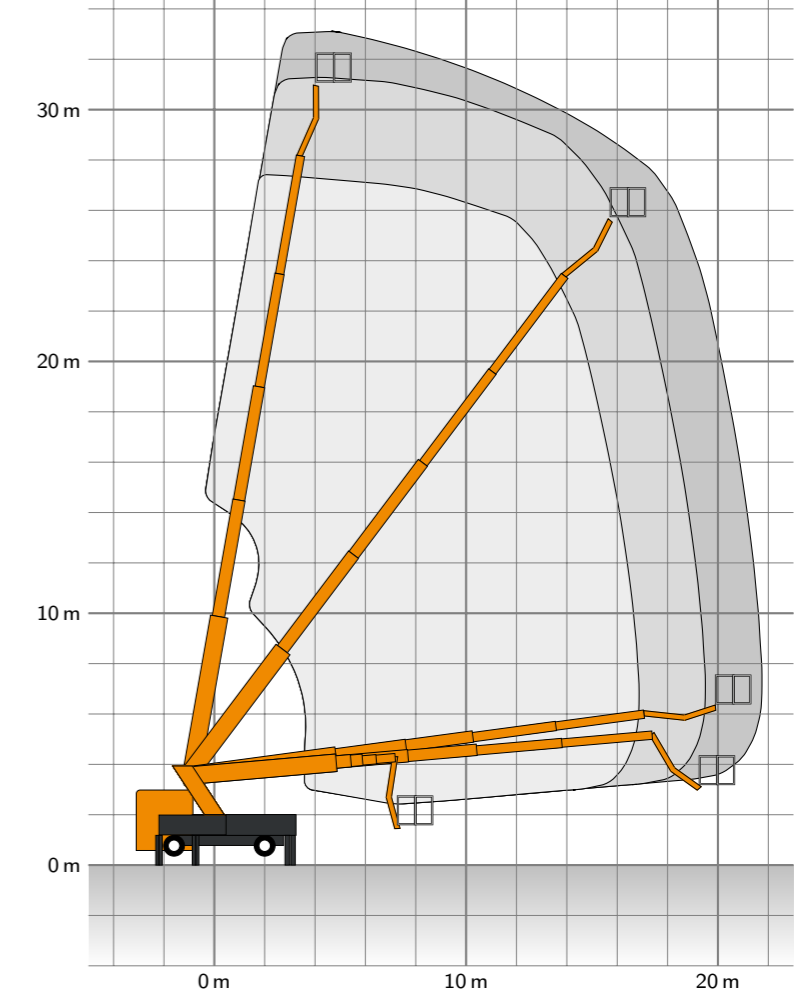
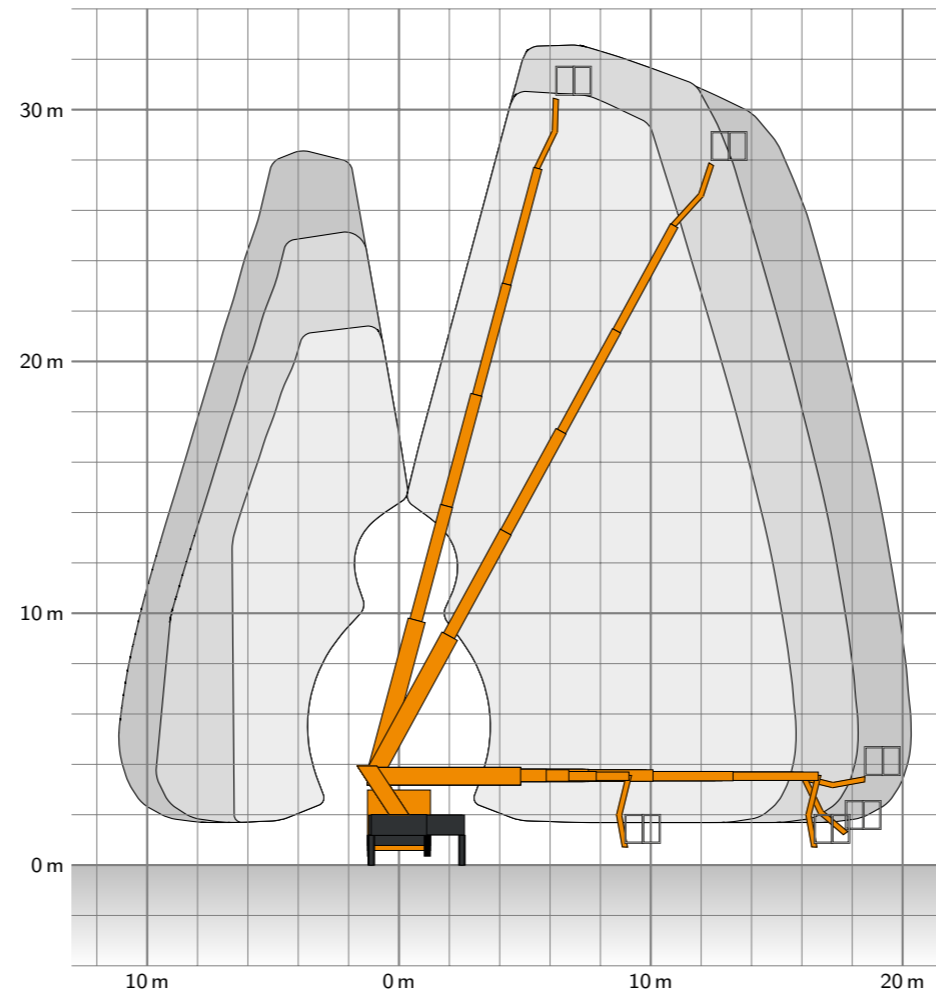
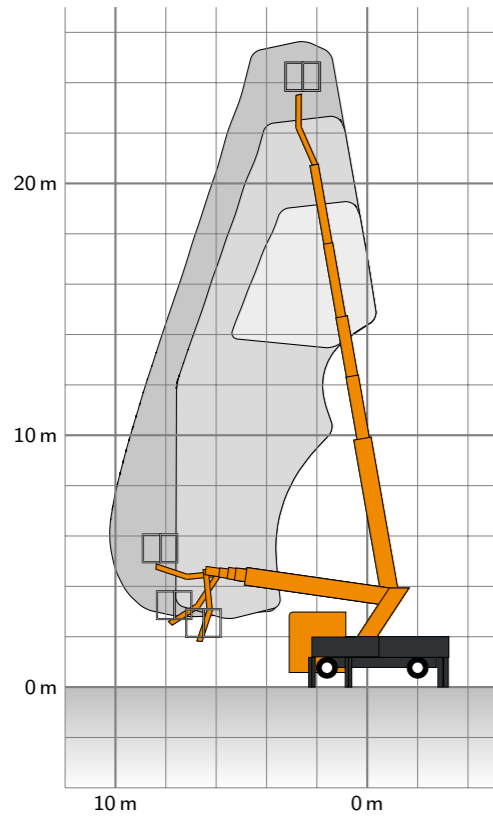


Centre of the outrigger plates!

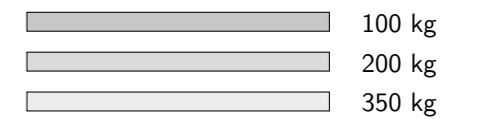
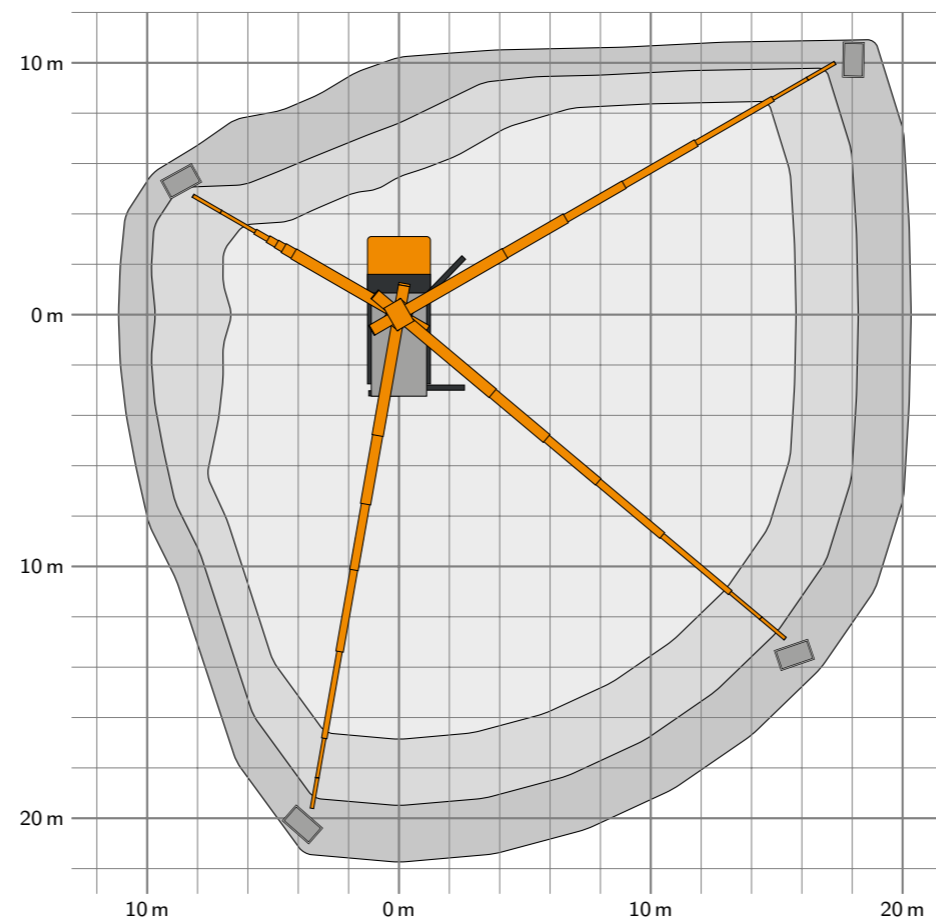
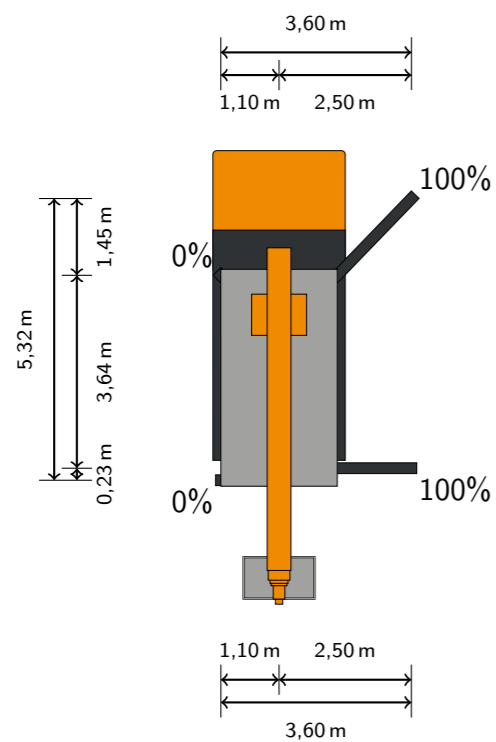


- 100 kg
- 200 kg
- 350 kg

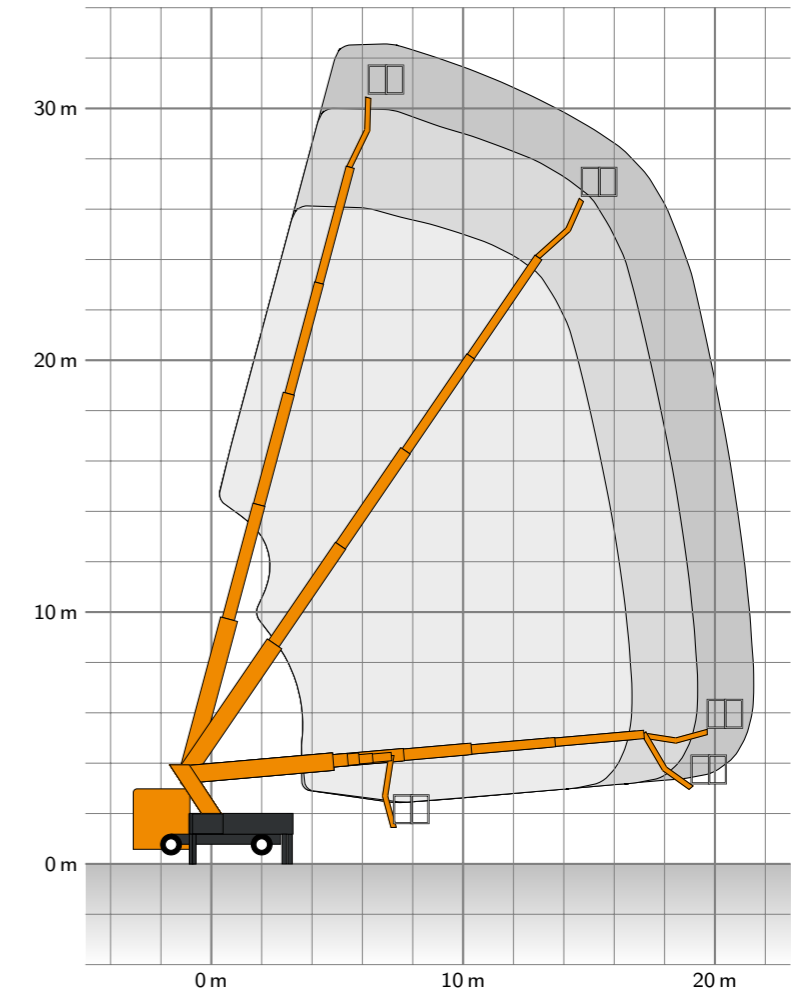
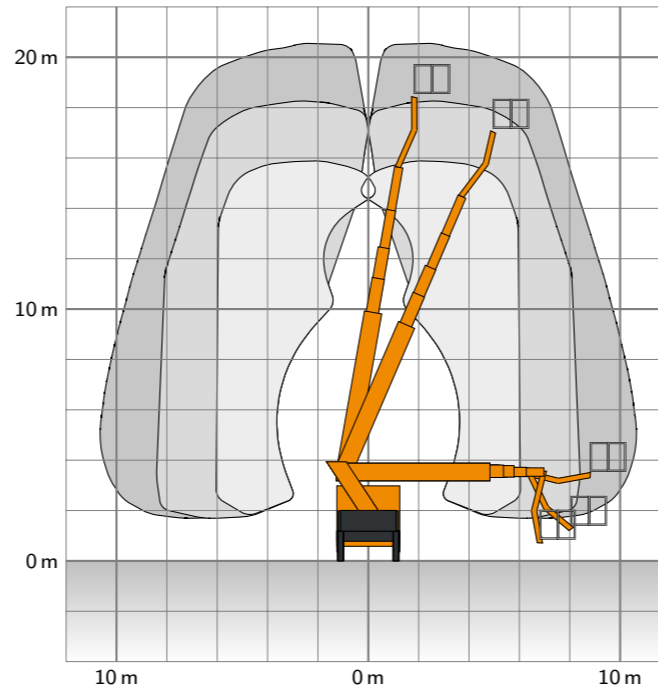
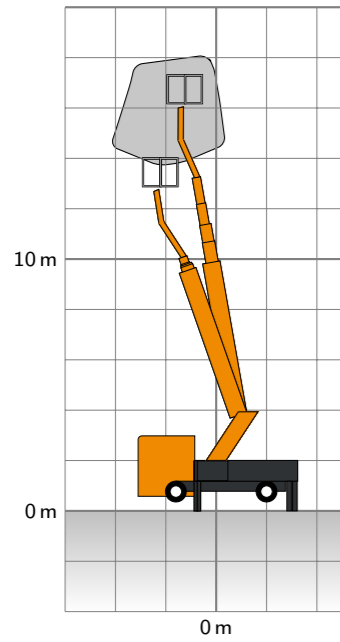
Slope = $\leq 1^\circ$ All measures are approx! Alterations reserved!		
working cage 350 kg rated load		
Drawing Number		0928589000
Description		Working area (theoretical) RUTHMANNSTEIGER® T 330.4
Ruthmann Holdings GmbH Ruthmannstr. 4 48712 Gescher Germany		 <small>A TIME MANUFACTURING COMPANY</small>
Working height max.		Scale
33,1 m		1:400
Outreach max.		Sheet
21,7 m		1
Date: 5th October 2023	Format: A3	No. Sheets
		3
		TKM-mu



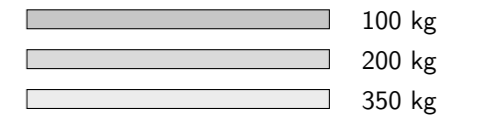
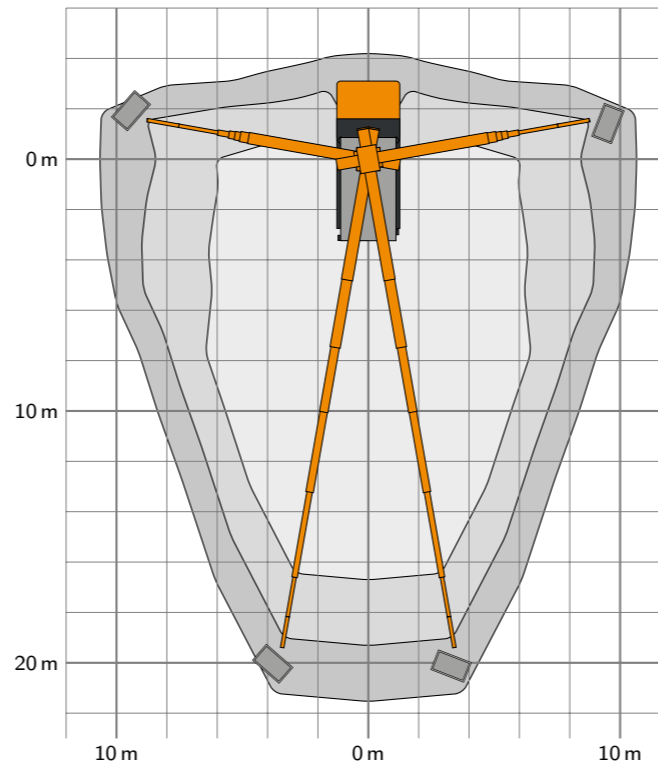
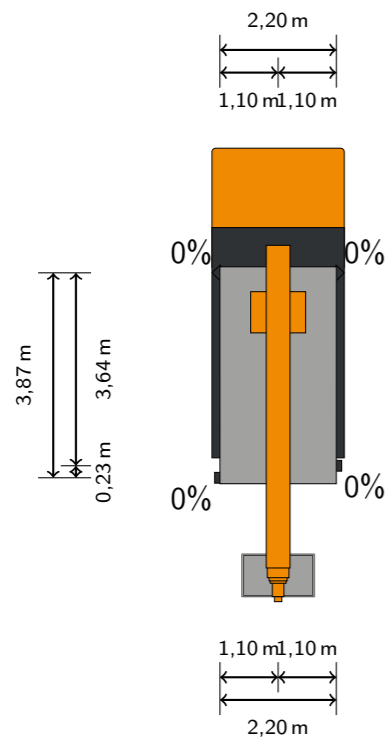
Centre of the outrigger plates!



Slope = $\leq 1^\circ$		
All measures are approx!		
Alterations reserved!		
working cage 350 kg rated load		
Drawing Number		
0928589000		
Description		Scale
Working area (theoretical) RUTHMANNSTEIGER® T 330.4		1:300
Ruthmann Holdings GmbH Ruthmannstr. 4 48712 Gescher Germany		Sheet
		2
		No. Sheets
		3
Working height max.	Outreach max.	
33,1 m	21,9 m	
Date: 5th October 2023	Format: A3	TKM-mu



Centre of the outrigger plates!



Slope = $\leq 1^\circ$		
All measures are approx!		
Alterations reserved!		
working cage 350 kg rated load		
Drawing Number		0928589000
Description		Scale
Working area (theoretical) RUTHMANNSTEIGER® T 330.4		1:300
Ruthmann Holdings GmbH Ruthmannstr. 4 48712 Gescher Germany		Sheet
		3
		No. Sheets
		3
Working height max.	Outreach max.	
32,6 m	21,5 m	
Date: 5th October 2023	Format: A3	TKM-mu