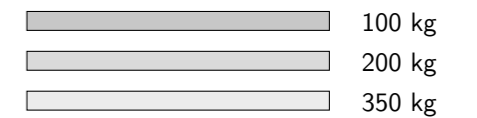
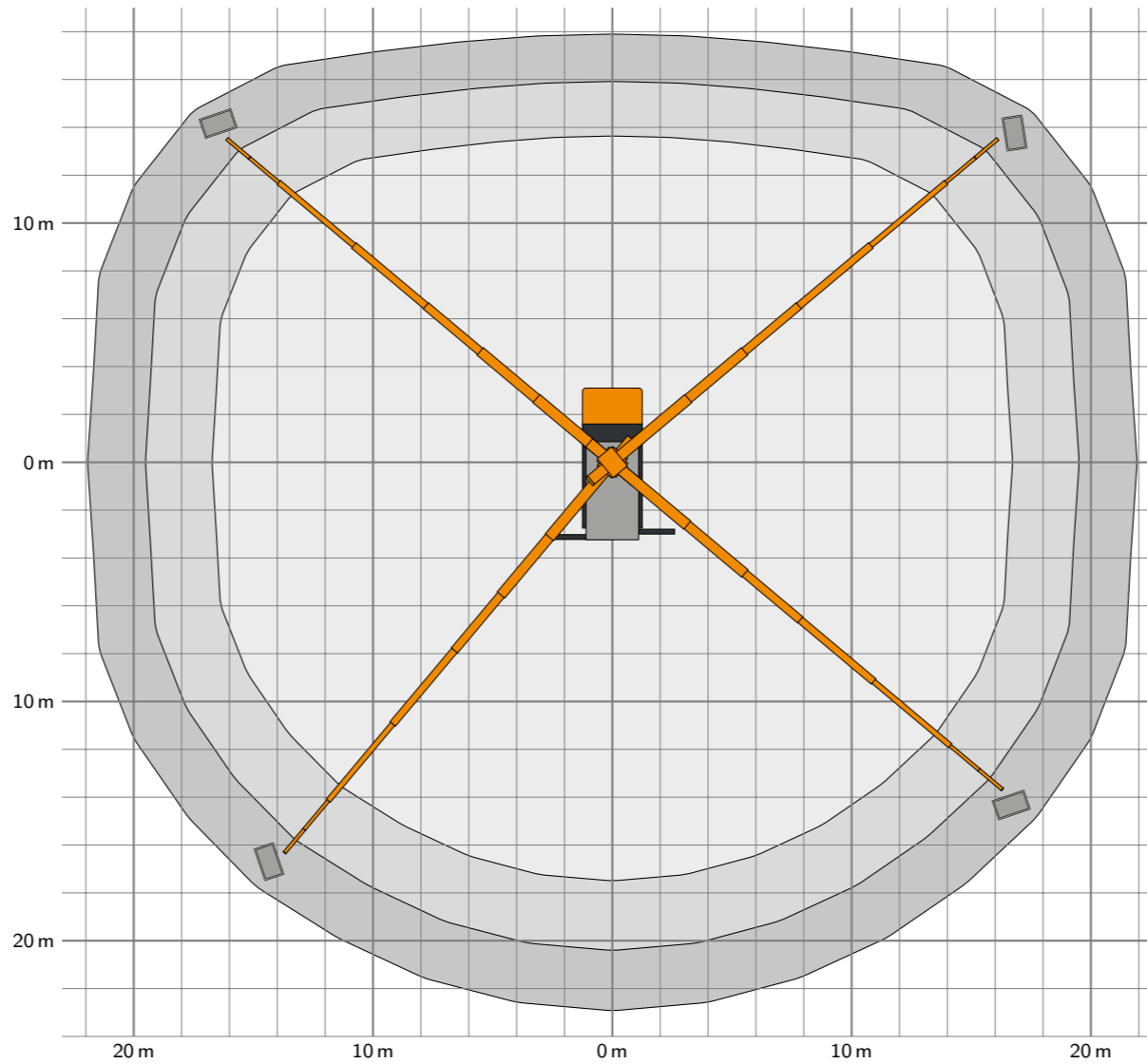
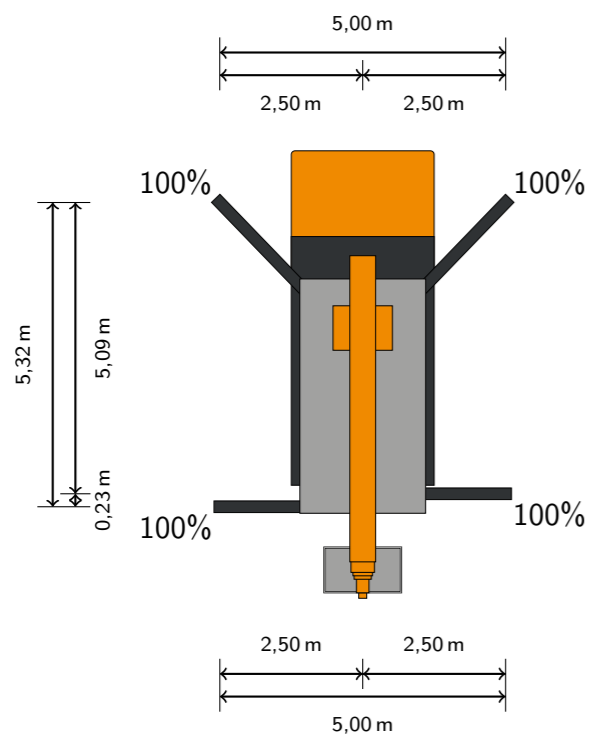
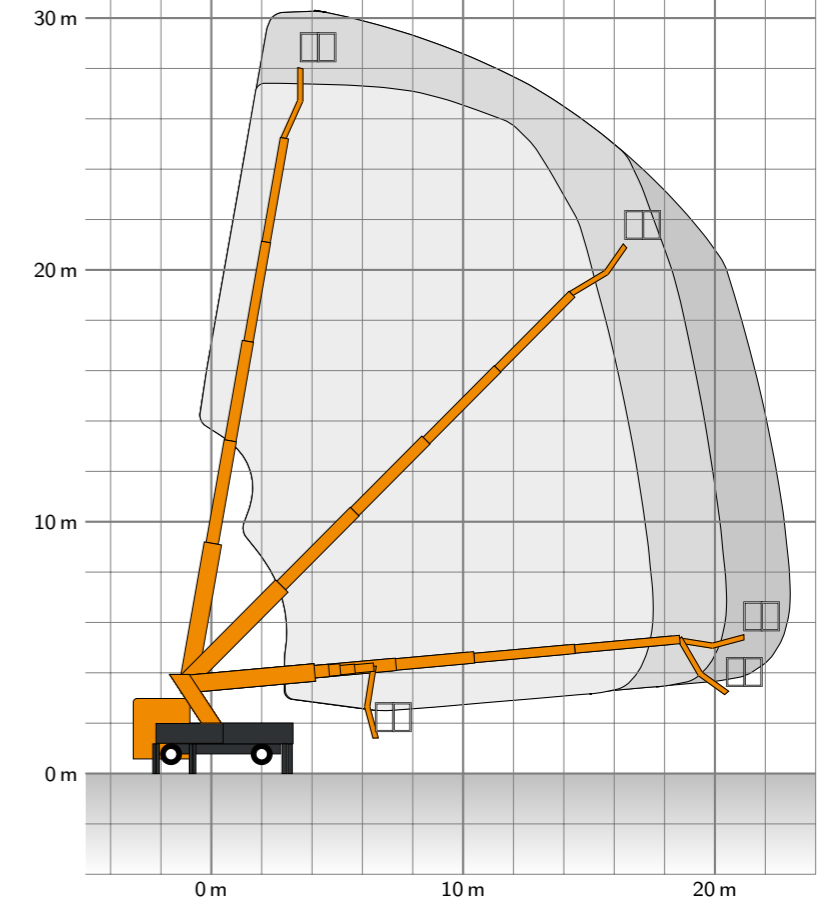
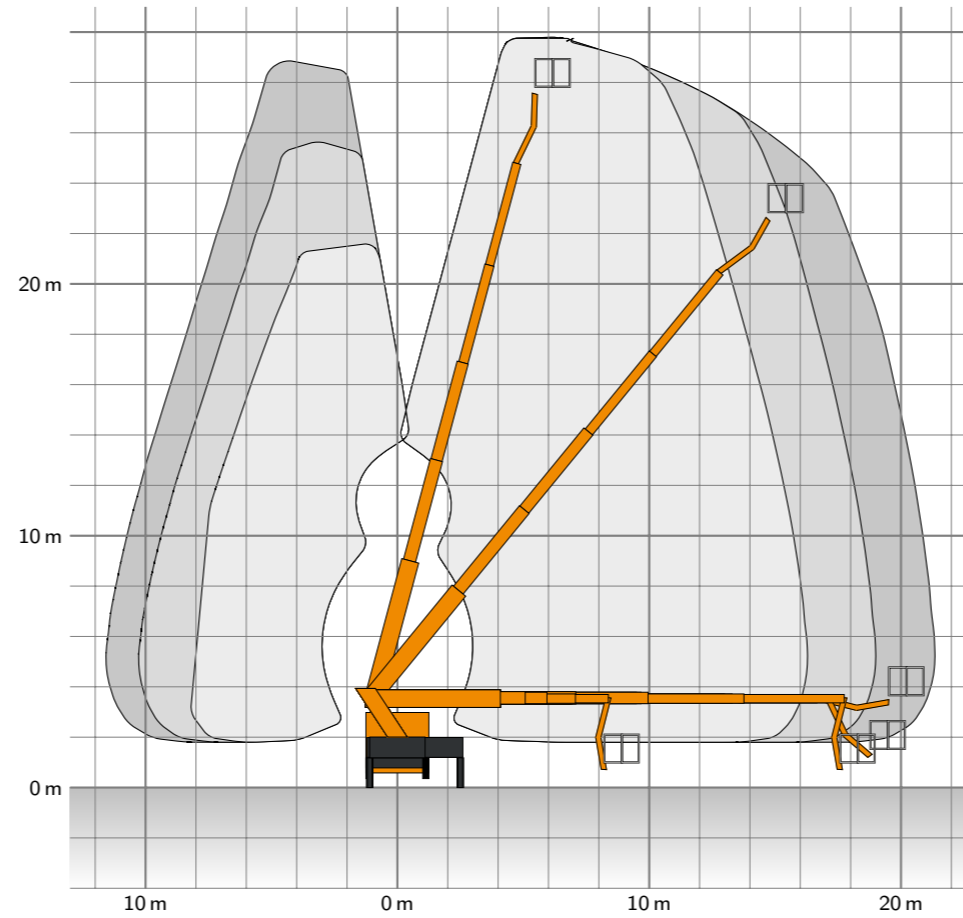
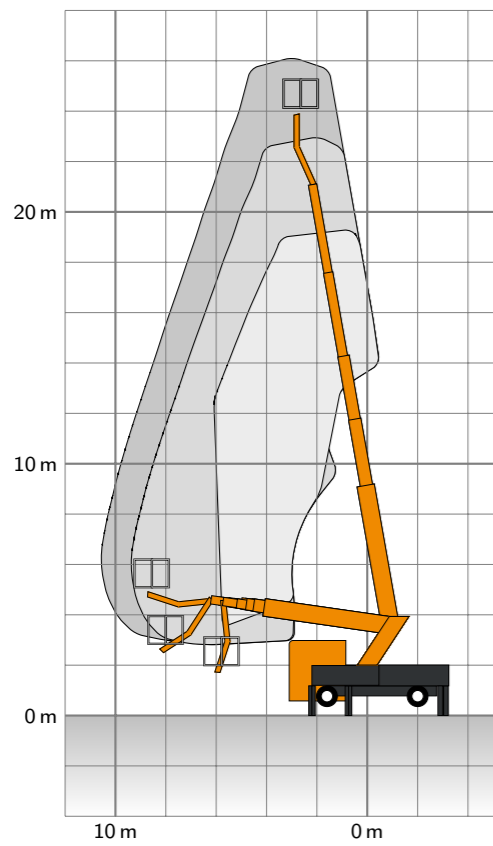


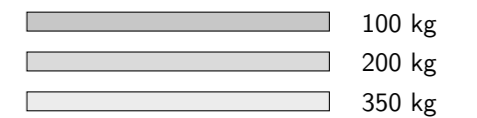
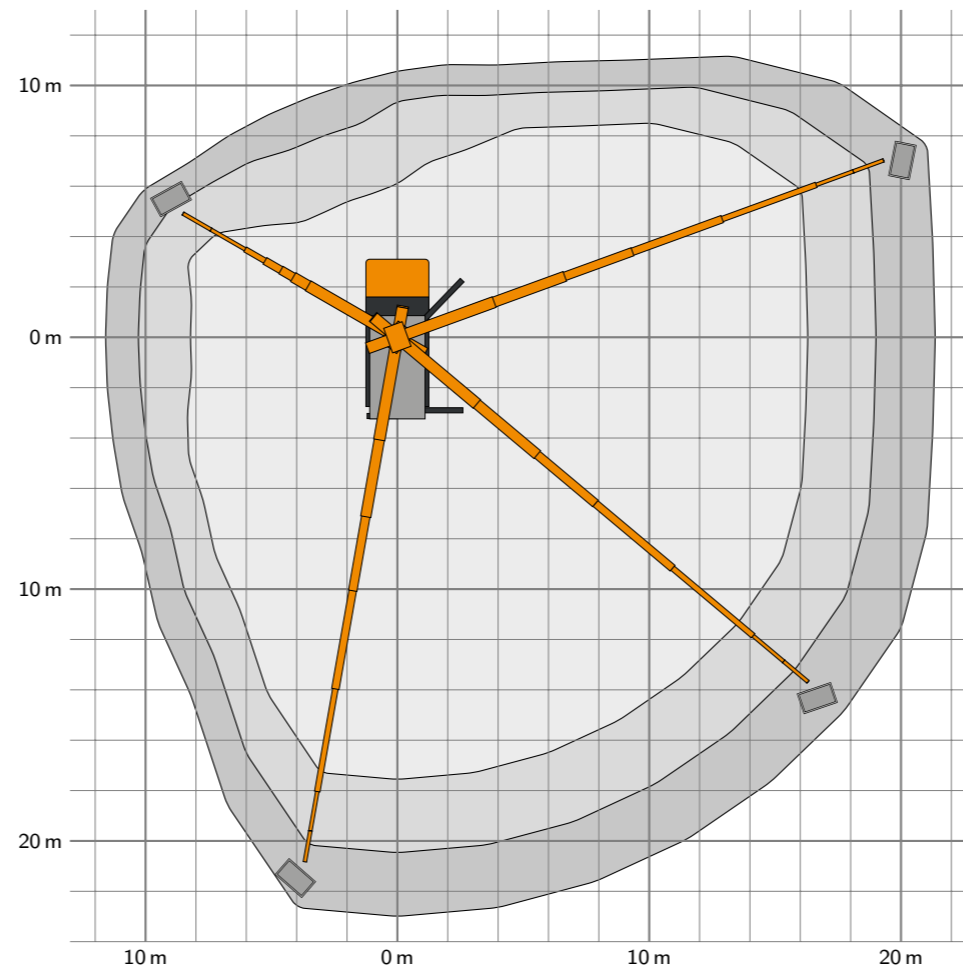
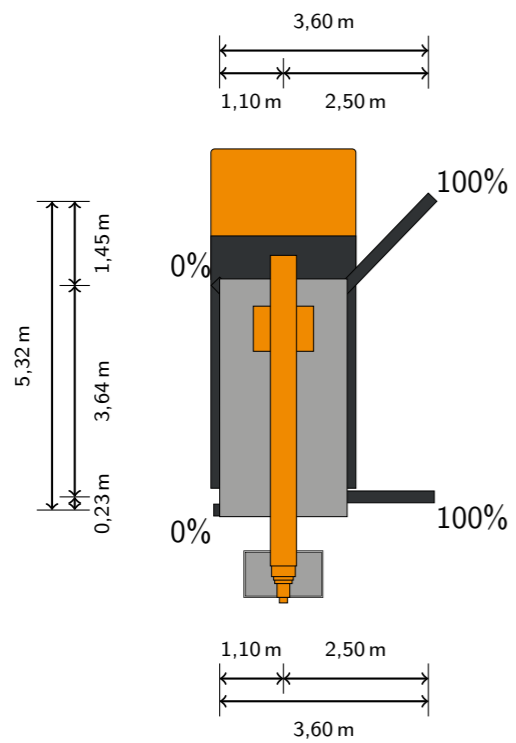
Center of the outrigger plates!



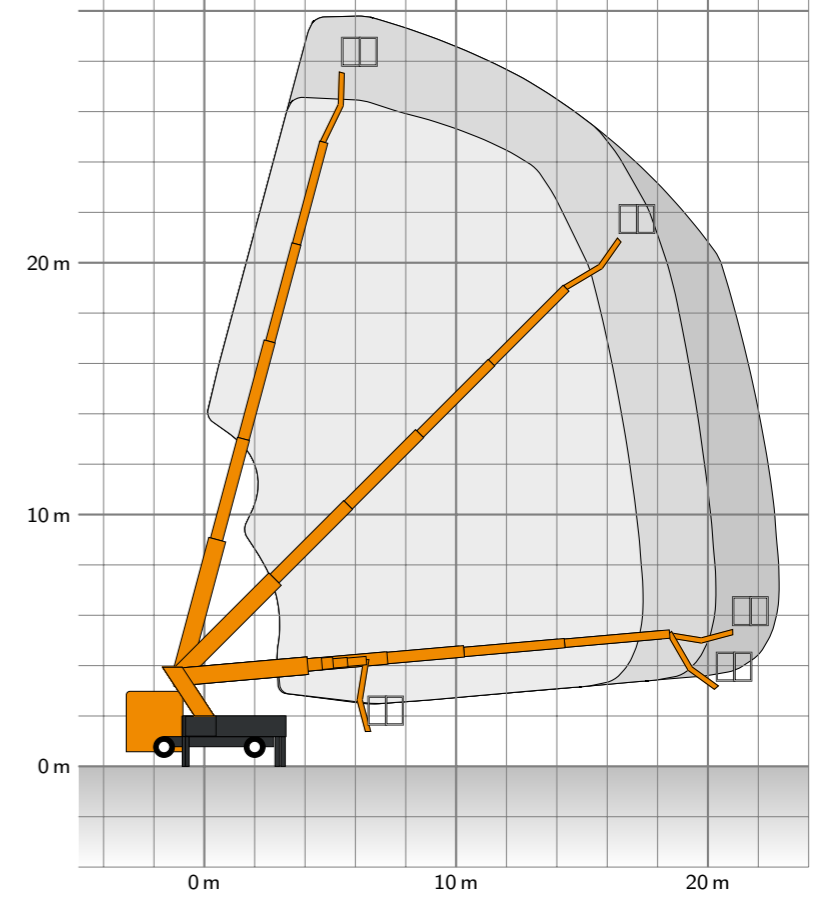
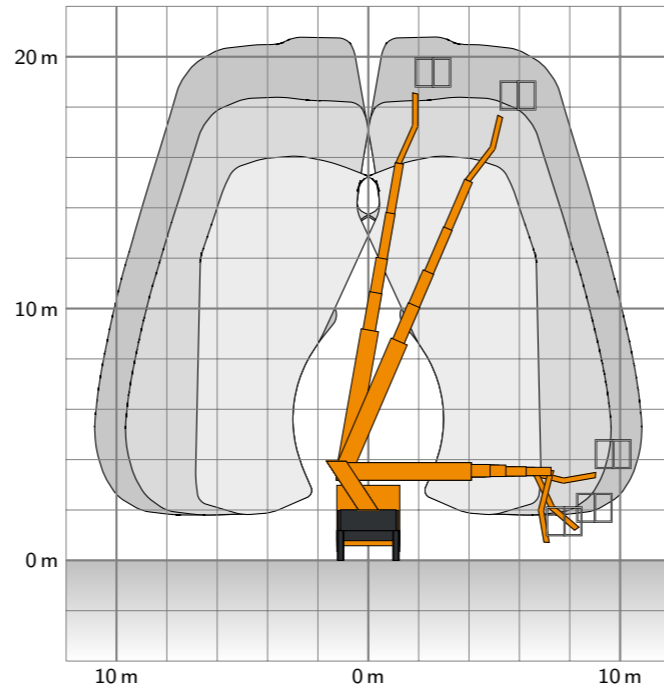
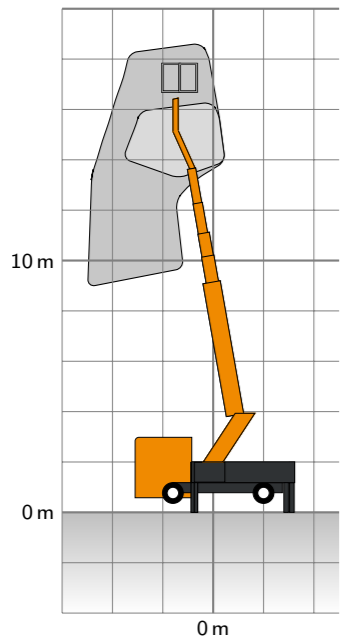
Slope = $\leq 1^\circ$		
All measures are approx!		
Alterations reserved!		
working cage 350 kg rated load		
Drawing Number		
0928586000		
Description		Scale
Working area (theoretical) RUTHMANNSTEIGER® T 300.4/.5		1:300
Ruthmann Holdings GmbH Ruthmannstr. 4 48712 Gescher Germany		Sheet
		1
		No. Sheets
		3
Working height max.	Outreach max.	
30,3 m	23,2 m	
Date: 27th September 2023	Format: A3	TKM-mu



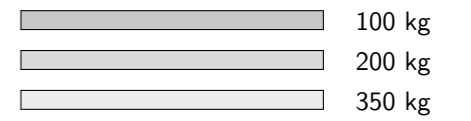
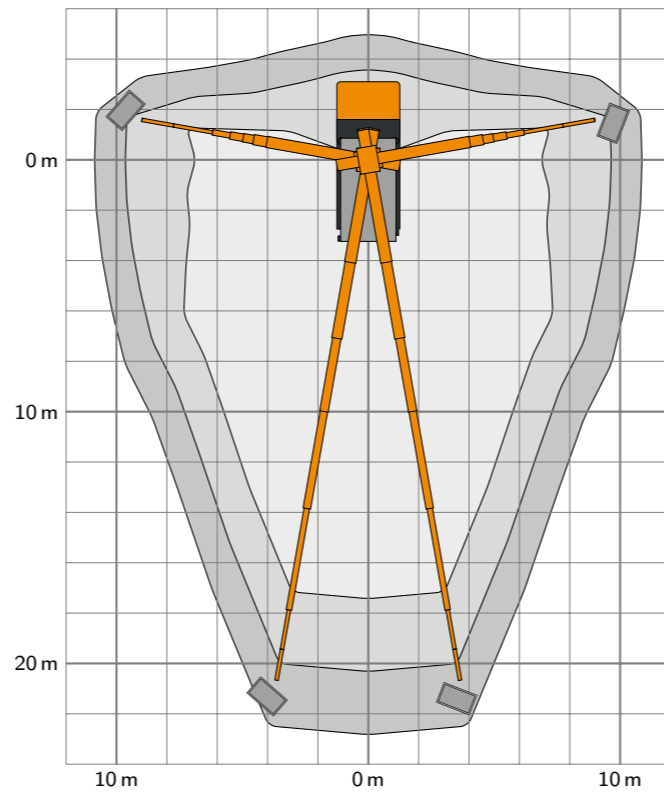
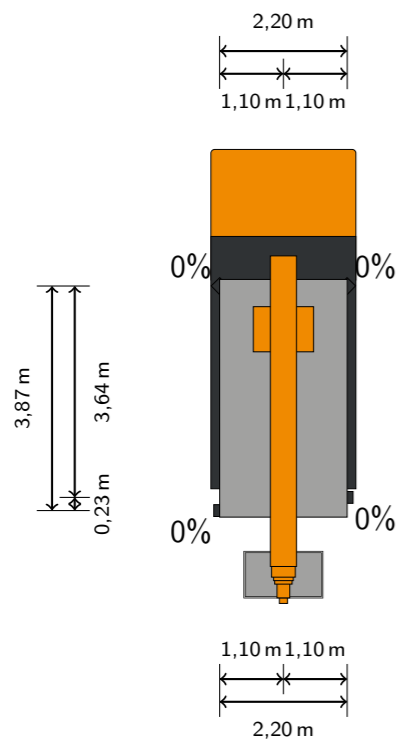
Center of the outrigger plates!






Slope $\leq 1^\circ$		
All measures are approx!		
Alterations reserved!		
working cage 350 kg rated load		
Drawing Number		0928586000
Description	Working area (theoretical)	Scale 1:300
RUTHMANNSTEIGER® T 300.4/.5		Sheet 2
Ruthmann Holdings GmbH Ruthmannstr. 4 48712 Gescher Germany		No. Sheets 3
Working height max. 30,3 m		Outreach max. 23,1 m
Date: 27th September 2023	Format: A3	TKM-mu



Center of the outrigger plates!



Slope = $\leq 1^\circ$ All measures are approx! Alterations reserved!		
working cage 350 kg rated load		
Drawing Number		0928586000
Description		Scale
Working area (theoretical) RUTHMANNSTEIGER® T 300.4/.5		1:300
Ruthmann Holdings GmbH Ruthmannstr. 4 48712 Gescher Germany		Sheet
 <small>A TIME MANUFACTURING COMPANY</small>		3
		No. Sheets
3		
Working height max.	Outreach max.	
 29,8 m	 22,8 m	
Date: 27th September 2023	Format: A3	TKM-mu